

UR6 Series Uncooled IR Imaging Module

- Compact and Light weight with 21mm*21mm
- High Frame Rate 12um Vox infrared Detector and High Performance infrared ISP chips
- MIPI and USB interface for Raspberry Pi5 and NVIDIA Jetson Series



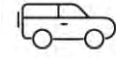
SPECIFICATION

Model	UR6 Series
Imaging & Optical	
Detector Type	Vox Uncooled Microbolometer
Resolution	640×512@12μm
Spectral Range	8 μm ~ 14 μm
Image Frequency	30Hz/60Hz
NETD	≤40mK@F1.0 25°C
Lens Focal Length	4.6mm/9.1mm/13mm/19mm/25mm/35mm
Thermal Time Constant	<12ms
NUC Correction	Shutter/Shutter less algorithm correction
Digital Zoom	1x-8x continuous zoom(step size: 0.1)
Image Mirroring	Vertical/Horizontal/Diagonal
Digital Video	MIPI,USB2.0, BT656, DVP
Power Supply	5V DC
Palette	White Hot/Black Hot/Various palettes supported
Power Consumption	<0.7W
Communication Interface	UART/I2C/USB2.0
Size	21mm*21mm*10.3mm(WxHxL) Without lens
Weight	≤8.6g (Without lens)
Humidity	5%RH ~ 95%RH, non-condensing
Working Temperature	-40°C~+60°C
Storage Temperature	-50°C~+70°C
Vibration	6.06g, random vibration, all axes
Shock	80g, 4ms, final peak sawtooth wave, three axes and six directions
Extensible Features	PIP, AHD/SDI/cameralink output, Crosshairs, Hot tracking, 25/50Hz rating, Lens driving (zooming, Electric and auto focusing)

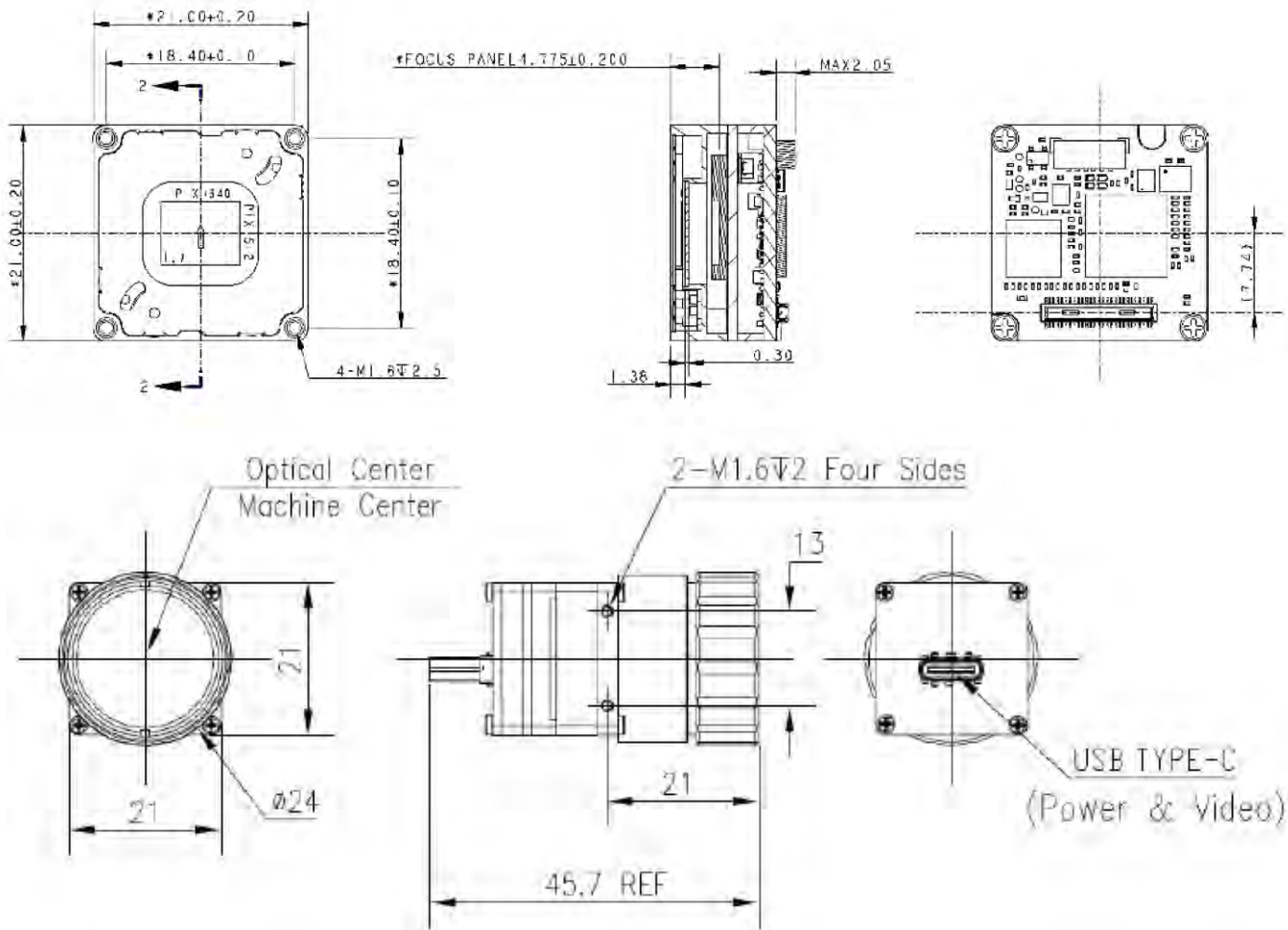
UR6 Series Uncooled IR Imaging Module



 1.7m×0.5m

 4.6m×2.3m

Lens	FOV	Detection	Recognition	Identification	Detection	Recognition	Identification
f4.6mm F1	79.71° x 47.47°	325m	108m	54m	881m	293m	146m
f9.1mm F1	45.76° x 37.31°	644m	214m	107m	1740m	581m	290m
f13mm F1	32.91° x 26.59°	920m	306m	153m	2490m	830m	415m
f19mm F1	22.85° x 18.37°	1350m	448m	224m	3640m	1210m	606m
f25mm F1	17.46° x 14.01°	1770m	590m	295m	4790m	1600m	798m
f35mm F1	12.52° x 10.03°	2480m	826m	413m	6710m	2240m	1120m



IR IMAGING MODULE

US6 Series Uncooled IR Imaging Module

- Optimized for long focal length lenses up to 300mm lens
- Integrated lens driver with extended functions
- Multiple digital video output interfaces



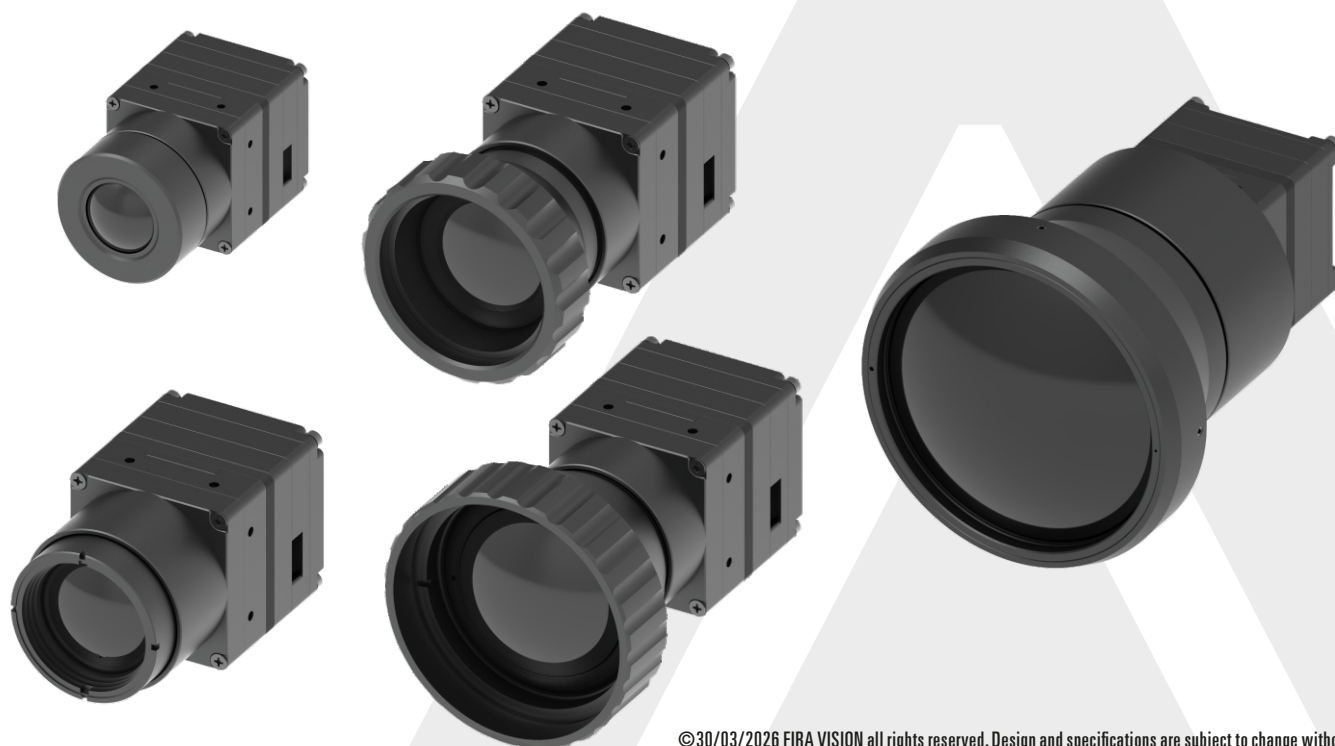
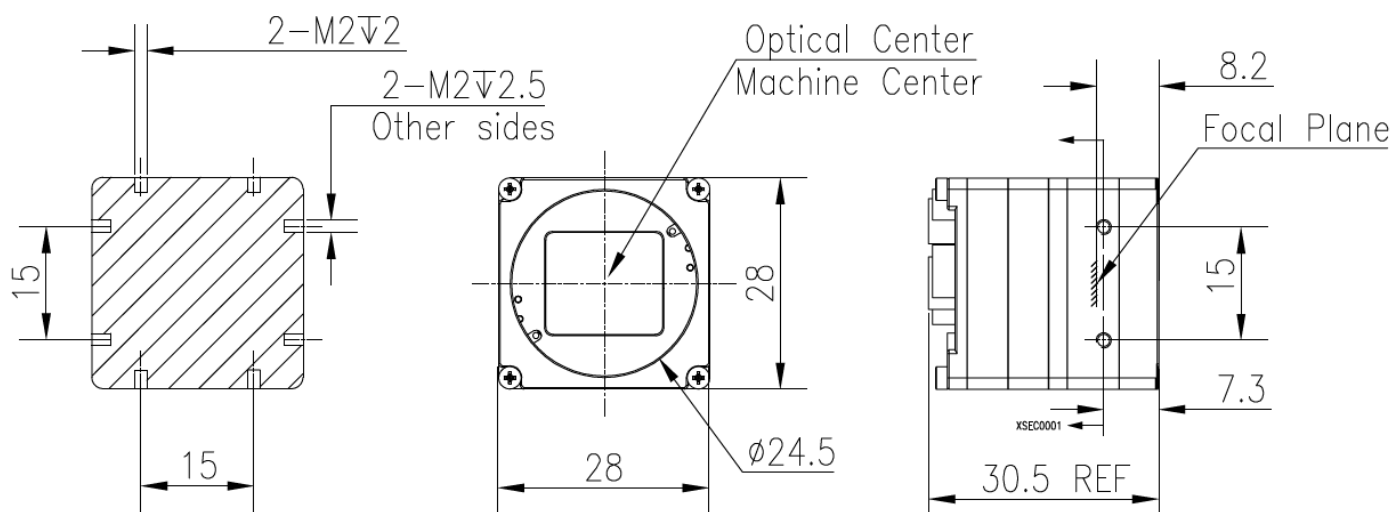
SPECIFICATION

Model	US6 Series
Imaging & Optical	
Detector Type	Vox Uncooled Microbolometer
Resolution	640×512@12μm
Spectral Range	8 μm ~ 14 μm
Image Frequency	50Hz
NETD	≤40mK@F1.0 25°C
Lens Focal Length	4.6mm/9.1mm/13mm/19mm/25mm/35mm/50mm/75mm/100mm/150mm/200mm/300mm
Thermal Time Constant	<12ms
NUC Correction	Shutter Correction
Digital Zoom	1x-8x continuous zoom (step size: 1)
Image Mirroring	Vertical/Horizontal/Diagonal
Digital Video	SDI, Camera Link, LVDS, BT601, BT656, BT1120, USB
Power Supply	5V~28V DC
Palette	White Hot/Black Hot/Various palettes supported
Power Consumption	<1.2 W
Communication Interface	Default: RS232; Optional: RS422, RS485, TTL
Size	28mm×28mm×30.5mm (W×H×L) (without lens)
Weight	≤35g (Without lens)
Humidity	5%RH ~ 95%RH, non-condensing
Working Temperature	-40°C~+60°C
Storage Temperature	-50°C~+70°C
Vibration	6.06g, random vibration, all axes
Shock	80g, 4ms, final peak sawtooth wave, three axes and six directions
Extensible Features(Optional)	PIP, Crosshairs, Hot tracking, Zoom lens control, Auto-focus, etc.

US6 Series Uncooled IR Imaging Module



Lens	FOV	Detection	Recognition	Identification	Detection	Recognition	Identification
f4.6mm F1	79.71° x 47.47°	325m	108m	54m	881m	293m	146m
f9.1mm F1	45.76° x 37.31°	644m	214m	107m	1740m	581m	290m
f13mm F1	32.91° x 26.59°	920m	306m	153m	2490m	830m	415m
f19mm F1	22.85° x 18.37°	1350m	448m	224m	3640m	1210m	606m
f25mm F1	17.46° x 14.01°	1770m	590m	295m	4790m	1600m	798m
f35mm F1	12.52° x 10.03°	2480m	826m	413m	6710m	2240m	1120m
f50mm F1	8.78° x 7.03°	3540m	1180m	590m	9580m	3190m	1600m
f75mm F1	5.86° x 4.69°	5310m	1770m	885m	14370m	4790m	2400m
f100mm F1	4.40° x 3.52°	7008m	2360m	1180m	19170m	6390m	3190m
f150mm F1	2.93° x 2.35°	10630m	3540m	1770m	28750m	9580m	4790m
f200mm F1	2.20° x 1.76°	14170m	4720m	2360m	38330m	12780m	6390m
f300mm F1	1.47° x 1.17°	21250m	7080m	3540m	57500m	19170m	9580m



IR IMAGING MODULE

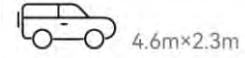
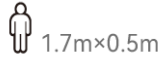
UL12 Series Uncooled IR Imaging Module

- Onboard image enhancement ensures crisp and vibrant thermal images
- High Frame Rate 12um Vox infrared Detector and High Performance infrared ISP chips
- Lightweight design, low power consumption and cost effectiveness

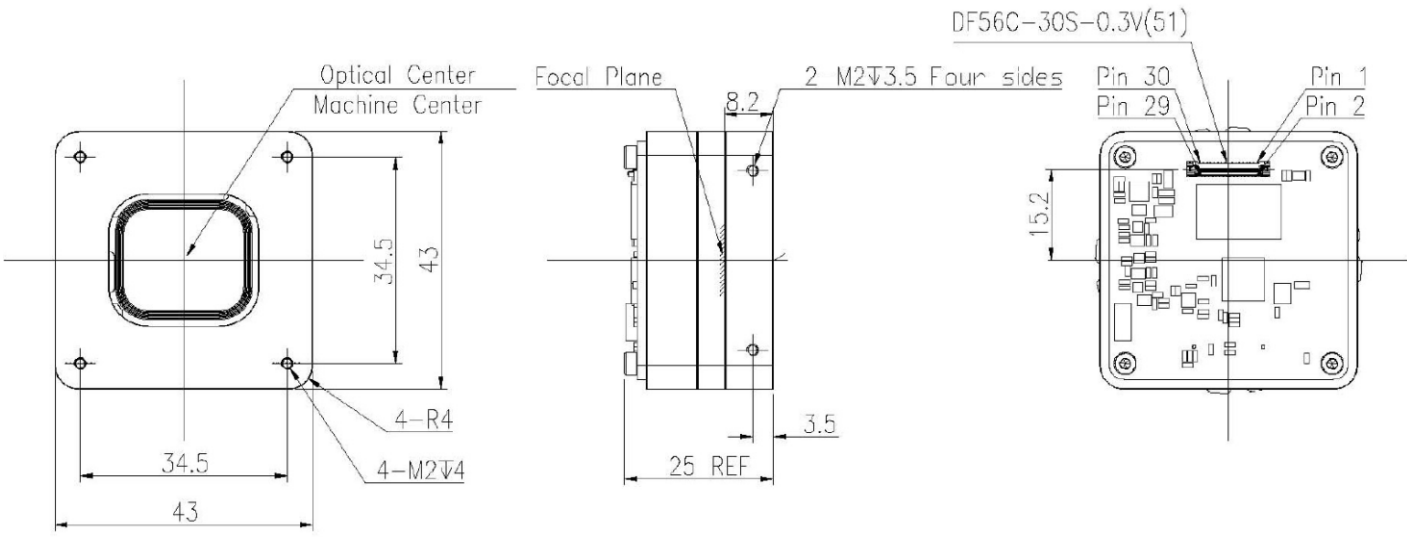


SPECIFICATION	
Model	UL12 Series
Imaging & Optical	
Detector Type	Vox Uncooled Microbolometer
Resolution	1280×1024@12μm
Spectral Range	8 μm ~ 14 μm
Image Frequency	30Hz/50Hz
NETD	≤40mK@F1.0 25°C
Lens Focal Length	35mm/55mm/75mm/100mm/150mm/200mm
Thermal Time Constant	<12ms
Image Adjustment	Brightness/Contrast, DDE, DeNoise etc.
NUC Correction	Shutter correction/Shutterless Correction
Digital Zoom	1x-8x continuous zoom
HD Analog Video	AHD
Image Mirroring	Vertical/Horizontal/Diagonal
Digital Video	HDMI/MIPI/BT1120/LVDS/SDI/Cameralink/USB3.0
Power Supply	DC 9V~24V(AHD/SDI), DC5V(USB3.0), DC5~12V(Cameralink/MIPI)
Palette	White Hot/Black Hot/Various palettes supported
Power Consumption	≤1.6W(@30Hz)
Communication Interface	RS422 (RS232, TTL optional)
Size(WxHxL-Without lens)	43mm*43mm*25mm(With Cameralink output) 29×29×26mm(Optional)
Weight	≤80g (Without lens)
Humidity	5%RH ~ 95%RH, non-condensing
Working Temperature	-40°C~+60°C
Storage Temperature	-50°C~+70°C
Vibration	6.06g, random vibration, all axes
Shock	80g, 4ms, final peak sawtooth wave, three axes and six directions
Extensible Features(Optional)	PIP, Crosshairs, Hot tracking, Zoom lens control, Auto-focus, etc.

UL12 Series Uncooled IR Imaging Module



Lens	FOV	Detection	Recognition	Identification	Detection	Recognition	Identification
f35mm F1	24.75° x 19.91°	2480m	826m	413m	6710m	2240m	1120m
f55mm F1	17.46° x 14.01°	3900m	1300m	649m	1054m	3510m	1760m
f75mm F1	11.69° x 9.37°	5310m	1770m	885m	14370m	4790m	2400m
f100mm F1	8.78° x 7.03°	7008m	2360m	1180m	19170m	6390m	3190m
f150mm F1	5.86° x 4.69°	10630m	3540m	1770m	28750m	9580m	4790m
f200mm F1	4.40° x 3.52°	14170m	4720m	2360m	38330m	12780m	6390m



IR IMAGING MODULE